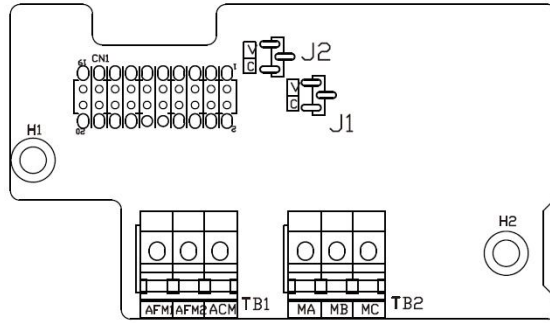
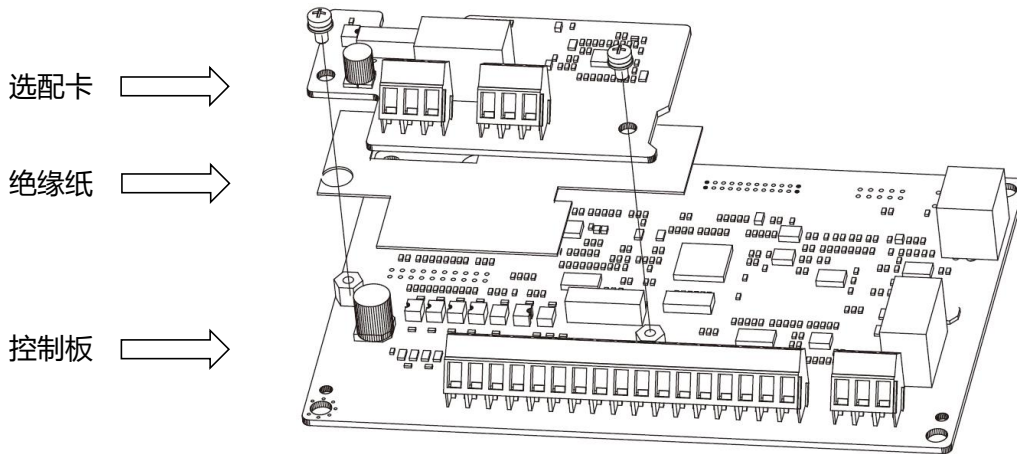


## HCA-B ETIO-AOMC1 选配卡 (模拟量输出, 继电器输出扩展选配卡) 使用说明书

### 1、扩展选配卡：板形及端子位置示意图



### 2、扩展选配卡：安装示意图



### 3、端子功能说明

端子位号	端子名称	功能说明	对应参数
TB1	AFM1-ACM 模拟量输出 1 (由跳线 J1 选择电压或电流输出)	1.输出电压规格: DC0~+10V 2.输出电流规格: 0~20mA 3.AFM1 和控制板上 AFM 为同一信号源	06-07
	AFM2-ACM 模拟量输出 2 (由跳线 J2 选择电压或电流输出)	1.输出电压规格: DC0~+10V 2.输出电流规格: 0~20mA	06-08
TB2	MA-MB-MC 继电器触点输出	1.常开 MA-MC, 常闭 MB-MC 2.触点: AC250V, 3A    DC30V, 3A	06-02



三碁微信服务号

#### 生产总部

泉州市鲤城区江南高新园区紫新路 3 号

电话: 0595-24678267

传真: 0595-24678203

#### 服务网络

客服电话: 400-6161-619

网址: www.savch.net

#### 已获资质

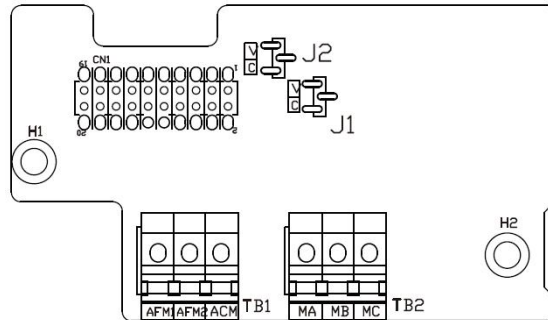
ISO9001 体系认证及 CE 产品认证

520031004200 V1.0 2024-04-15

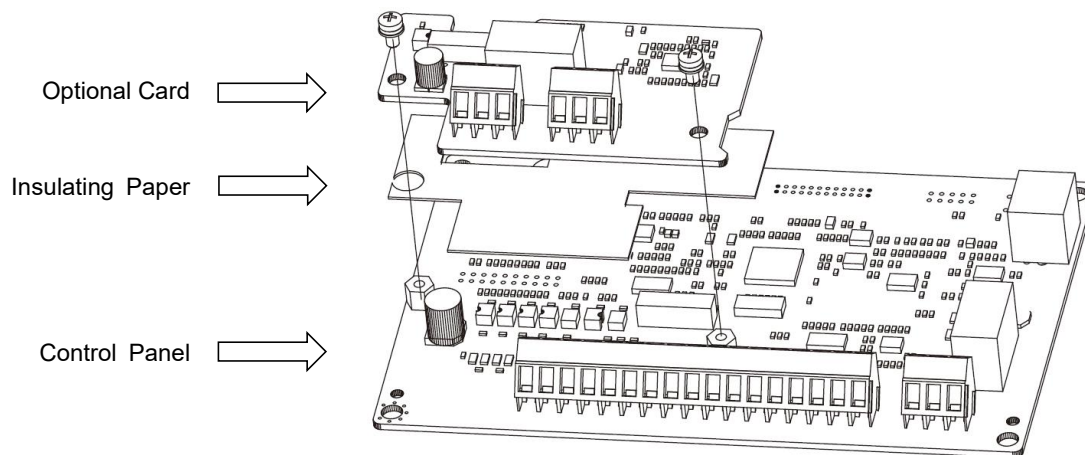
版权所有, 侵权必究! 如有改动, 恕不另行通知!

## HCA-B ETIO-AOMC1 Optional Card (Analog Output, Relay Output Expansion Optional Card) Instruction Manual

### 1. Extended Optional Card: Schematic Diagram of Board Shape and Terminal Position



### 2. Expansion Option Card: Installation Diagram



### 3. Description of Terminal Function

Terminal NO.	Terminal name	Function	Parameter
TB1	AFM1-ACM analog output 1(Select voltage or current output by jumper J1)	1.Output voltage specification: DC0~+10V 2.Output current specification: 0~20mA 3.AFM1 and AFM on the control board are the same signal source	06-07
	AFM2-ACM analog output 2(Select voltage or current output by jumper J2)	1.Output voltage specification: DC0~+10V 2.Output current specification: 0~20mA	06-08
TB2	MA-MB-MC Relay contact output	1.Normally open MA-MC, normally closed MB-MC 2.Contact: AC250V, 3A    DC30V, 3A	06-02



SAVCH wechat  
Service Number

#### Quanzhou Factory

Address:3# Zixin Road, Jiangnan Hi-Tech Industrial Park, Quanzhou,  
Fujian, China

Tel:0595-24678267

Fax:0595-24678203

All rights reserved. Subject to change without further notice.

#### Service Network

Website: [www.savch.net](http://www.savch.net)

#### Qualification

Received ISO9001 and CE recognition