

按键设定计数器

KEYBOARD SETUP COUNTER

CU-41K CU-61K
CU-42K CU-62K
CU-43KC CU-63KC

1 产品规格 SPECIFICATION

型号 Type No.	4 位数 digit(CU-41K,CU-42K,CU-43KC)	6 位数 digit(CU-61K,CU-62K,CU-63KC)
字型尺寸 Character Height	LED 0.49"	
入力速度 Input Signal Mode	有接点输入 Contact input:25Hz	无接点输入 Non-Contact input:1KHz
入力准位 Input Level	NPN, Open collector	
入力型式 Input Mode	加算, 加减算, 90°相位差 Addition, Addition/Subtraction, Quadrature	
停电记忆 Power failure Memory	EEPROM 记忆资料保持十年不变 EEPROM back up time is as long 10 years	
记忆范围 Memory Range	-999~9999 -99999~999999	
设定范围 Setting Range	1~9999 1~999999	
输出方式 Output system	Relay output (250V,5A max)	
输出时间 Output time	0.1~9.9 seconds (Variable)	
消耗功率 Power Consumption	6VA	
电源电压 Power voltage	AC 110V/220V±15% 50Hz/60Hz	
耐温湿度 Operating Temperature Humidity	-10℃~+50℃ 45%~85% RH	
尺寸规格 External Dimensions	96mm×48mm×110mm(开孔尺寸 Mounting flush dimension: 92mm×45mm)	

2 使用前调整 ADJUST BEFORE USING

2.1 入力速度限制 (Hi-Lo-speed)

若输入信号利用磁簧开关、继电器等接点, 为了防止弹跳误动作必须将 SW1-1 置于 ON(上方), 若为无接点信号 SW1-1 置于 OFF(下方)。

If we utilize the device with contact, such as magnistor and relay, to prevent error operation, switch 1-1 must be at the supper position (ON). On the other hand, if we use the no contact input signal, then the switch 1-1 should be at the lower position (OFF).

2.2 加算, 加减算设定 (The setting of addition, addition/subtraction)

(1) SW1-2 位于下方(OFF)时, 计数器为单相输入, 接脚 9 为加算输入, 接脚 11 为减算输入。

When switch 1-2 is at the lower position, the counter is single phase addition where terminal 9 is addition input and terminal 11 is subtraction input.

(2) SW1-2 位于上方(ON)时, 计数器为双相 90°相位差输入加减算, 接脚 9 为 A 信号, 接脚 11 为 B 信号。

When switch 1-2 is at the upper (ON) position, the counter is two phase quadrature addition/subtraction where terminal 9 is A signal and terminal 11 is B signal.

2.3 输出动作 (Output operation):

SW1-3, SW1-4: N.R.C. 动作 (Operation of N.R.C)

SW1-5: 按键保护(当 SW1-5 ON 时, SCL 与 PONT 功能失效)

Keyboard protected (When SW1-5 is on the upper position, the function of SCL & PONT will lose the efficiency.)

SW1-3	SW1-4	动作 Action
OFF	OFF	N
ON	OFF	R
OFF	ON	C

2.4 按键设定 (Keyboard setting):

Mode: 选择设定类型 Select the kinds of setting

(1)PS-1: 第一段设定 The first setting

(2)PS-2: 第二段设定 The second setting

(3)PS-3: 第三段设定 The third setting

(4)SCL: 倍率设定 Percentage setup

(5)PONT: 小数点位置设定 Decimal point setup

Shift: 显示设定类别之设定设定值或结束设定 It displays the kind of setting or end setting

◀: 设定时位数左移键

(When we press it down, the decimal point shift left.)

▼: 位数值减 1, 按住不放连续递减。

(When we press it down, the counter displays subtract one. And if we keep up pressing, the value will decrease continuously.)

▲: 位数值加 1, 按住不放连续递增。

(When we press it down, the counter displays add one. And if we keep up pressing, the value will decrease continuously.)

◎二段单独设定型 2 step single setup mode (CU-42K, CU-62K)

设定类型 Setup Kind	二段设定方法 Operation of 2 step type
第一段设定值 The First Step Preset Value	mode → shift → ◀ → ▼ → ▲ ○○○○○○ → shift PS -1 → 654321 (设定内值 Preset Value)
第二段设定值 The Second Step Preset Value	mode → mode → shift → ◀ → ▼ → ▲ ○○○○○○ → shift PS -1 → PS -2 → 654321 (设定内值 Preset Value)
倍率设定 Percentage Setup	mode → mode → mode → shift → ◀ → ▼ → ▲ ○○○○ → shift PS -1 → PS -2 → SCL → 01.000
小数点设定 Decimal Point Setup	mode → mode → mode → mode → shift → ◀ ○○○○ → shift PS -1 → PS -2 → SCL → PONT → 0 → 0.0 → ○○○○

◎一段及 Hi-Lo-Go 设定 1 step & Hi-Lo-Go setup type: (CU-41K, CU61K, CU-43KC, CU-63KC)

设定类型 Setup Kind	二段设定方法 Operation of 2 step & Hi-Lo-Go setup type
设定值 Setup Value	mode → shift → ◀ → ▼ → ▲ ○○○○○○ → shift PS -2 → 654321 (设定内值 Preset Value)
倍率设定 Percentage Setup	mode → mode → shift → ◀ → ▼ → ▲ ○○○○○○ → shift PS -2 → SCL → 01.000 (设定内值 Preset Value)
小数点设定 Decimal Point Setup	mode → mode → mode → shift → ◀ ○○○○○○ → shift PS -2 → SCL → PONT → 0 → 0.0 (设定内值 Preset Value)

※注：当 SW1-5 为 ON 时，倍率及小数点均无法设定。

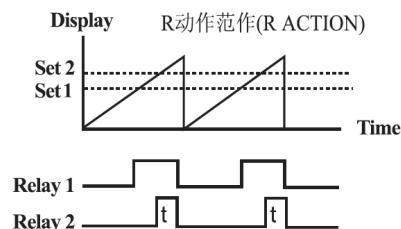
Note: When SW1-5 is at the "ON" position, the function of percentage and decimal point can not be set.

3 特性说明 CHARACTERISTIC EXPLANATION

3.1 二段单独设定输出: (CU-42K, CU-62K)

如右时序图有 N.R.C. 动作，计数值≥第一段设定值时 Relay 1 ON，计数值≥第二段设定值时 Relay 2 ON，N.R.C. 动作后一起释放。

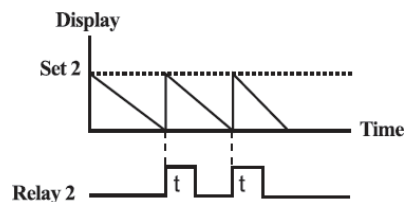
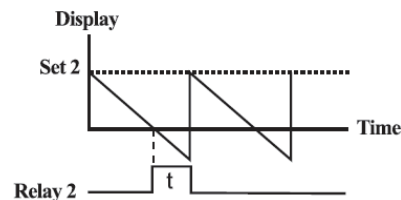
2 step independent output: CU-42K, CU-62K. When the counter display is equal to or larger than the first preset value, relay 1 contact turns on. When the counter display is equal to or larger than the second preset value, relay 2 contact turns on and then the operation of N.R.C work together.



3.2 一段单独设定输出(CU-41K, CU-61K P06),

如右序图有 N.R.C. 动作，计数值负计数到 0 时，Relay 2 ON。

1 step independent output (CU-41K, CU-61K, P06), When the counter display is to 0, relay 2 contact turns on.



3.3 Hi-Lo-Go 追踪器: CU-43KC, CU-63KC

如右侧时序图

当计数值 < 设定值时, Lo-relay ON

当计数值 = 设定值时, Go-relay ON

当计数值 > 设定值时, Hi-relay ON

当 Go 已输出计数值 ≠ 设定值, Go 输出将延迟后再 OFF, 输出延迟时间由面板 timer 决定。

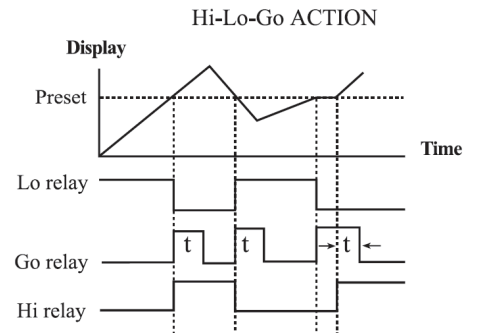
Hi-Lo-Go tracer: The timing chart of CU-43KC, CU-63KC illustrates at right side.

When the counter display is less than the preset value, Lo-relay turns on.

When the counter display is equal to the preset value, Go-relay contact turns on.

When the counter display is larger than the preset value, Hi-relay turns on.

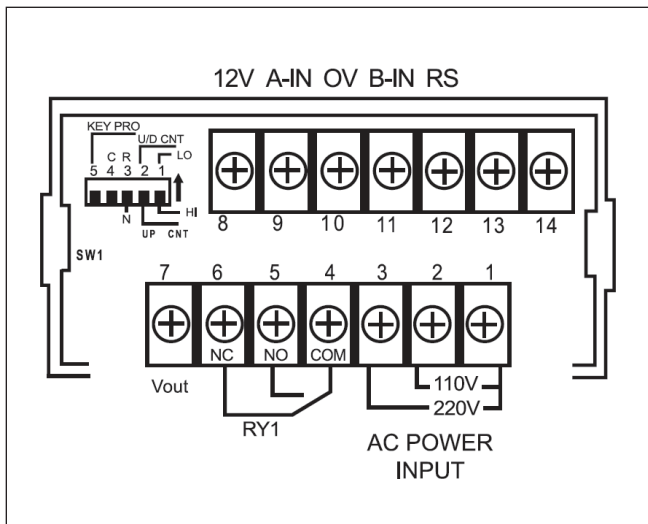
As "Go" has output and the counter display is not equal to preset value, the "Go" output will delay and turns OFF. The delay time is decided by the "Time" button at the front panel.



4 端子接脚图 Terminal Connections

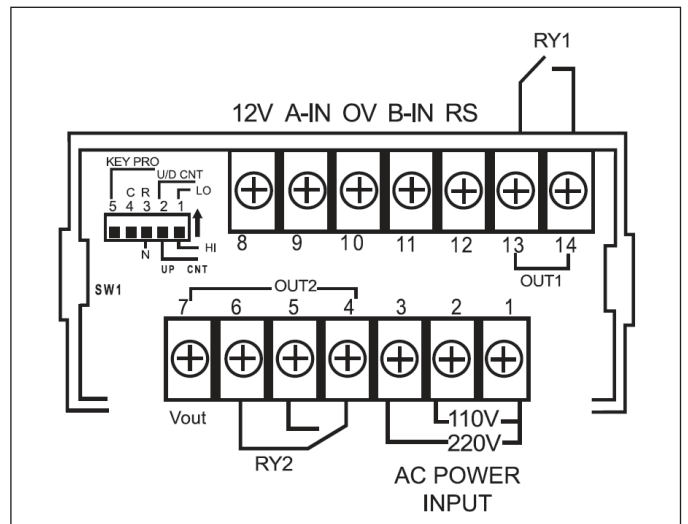
(CU-41K)

(CU-61K)



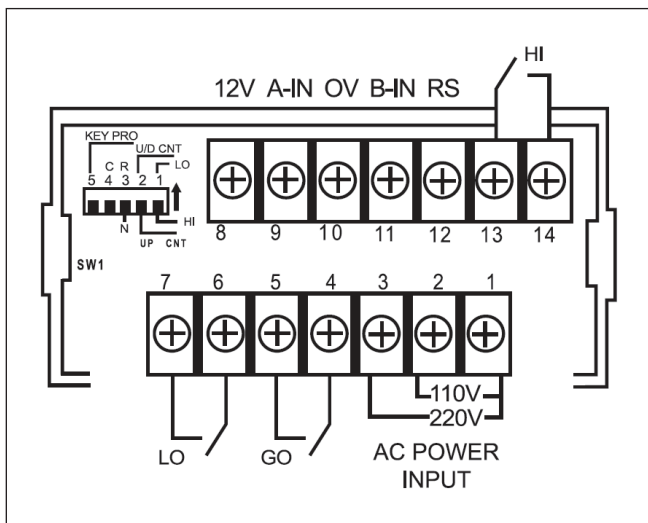
(CU-42K)

(CU-62K)



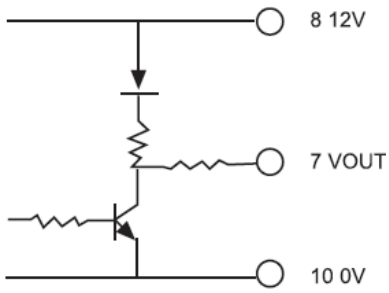
(CU-43KC)

(CU-63KC)

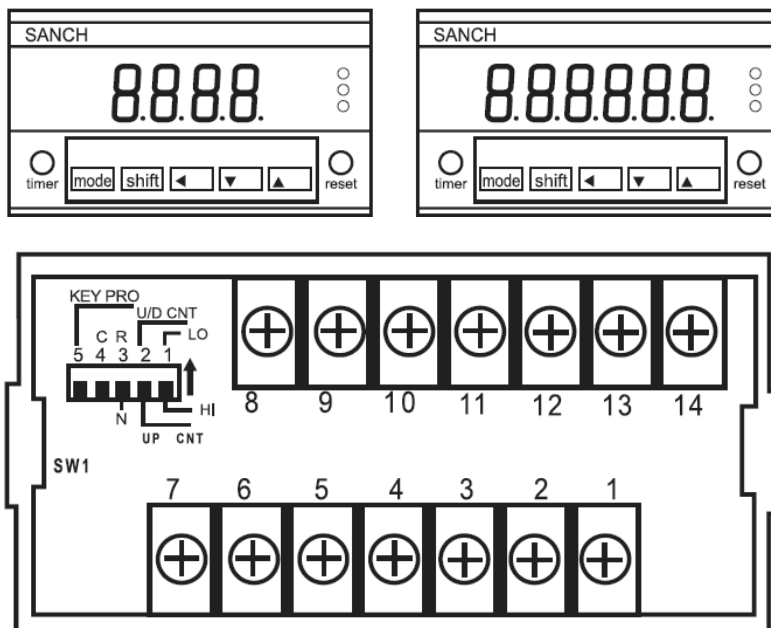


Vout:NPN 电压出力,可直接驱动 SSR.....

Vout:NPN voltage output can drive "SSR...etc" directly



5 外观图 APPERANCE



6 尺寸图 DIMENSION DIAGRAM

Unit: mm

