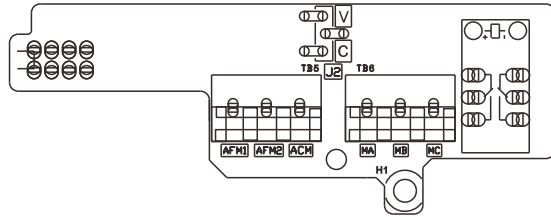
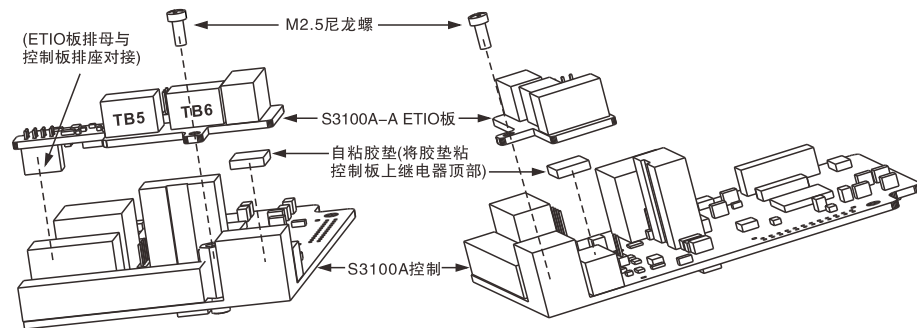


# S3100A-A选配卡 (模拟量输出, 继电器输出扩展选配卡) 使用说明书

## 1、扩展选配卡：板形及端子位置示意图



## 2、扩展选配卡：安装示意图



## 3、端子功能说明

端子位号	端子名称	功能说明	对应参数
TB5	AFM1-ACM模拟量输出1	1. 输出电流规格: 0~20mA 2. AFM1和控制板上AFM为同一信号源	06-07
	AFM2-ACM模拟量输出2 (由跳线J2选择电压或电流输出)	1. 输出电压规格: 0~+10Vdc 2. 输出电流规格: 0~20mA	06-08
TB6	MA-MB-MC继电器触点输出	1. 常开MA-MC, 常闭MB-MC 2. 触点: 125VAC, 0.5A DC30V, 2A	06-02

备注: AFM输出4~20mA的参数设定方法: 06-10=06-12=20.0(%), 06-11=06-13=0.80



生产总部  
泉州市鲤城区江南高新园区紫新路3号  
电话: 0595-24678267 传真: 0595-24678203  
三喜微信服务号

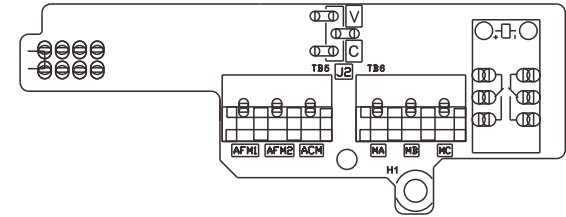
服务网络  
客服电话: 400-6161-619  
网址: www.savch.net

已获资质  
ISO9001体系认证及CE产品认证  
520031000010 V1.0 2022-05-19

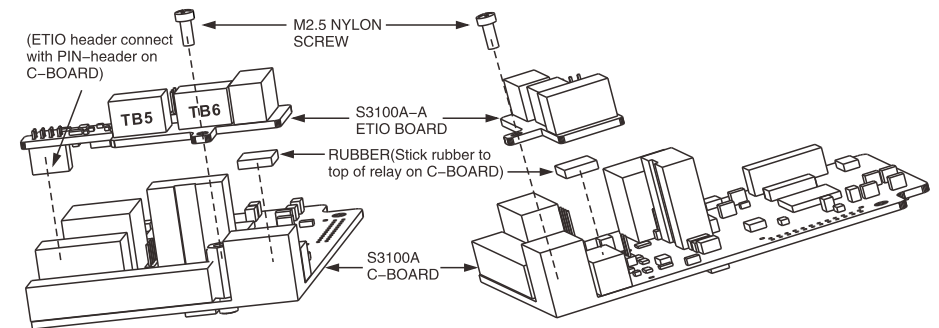
版权所有, 侵权必究; 如有改动, 恕不另行通知。

# S3100A-A Optional Card (Analog Output, Relay Output Expansion Optional Card) Instruction Manual

## 1. Extended Optional Card: Schematic Diagram of Board Shape and Terminal Position



## 2. Expansion Option Card: Installation Diagram



## 3. Description of Terminal Function

Terminal NO.	Terminal Name	Function	Parameter
TB5	AFM1-ACM analog output 1	1. Output current specification: 0~20mA 2. AFM1 and AFM on the control board are the same signal source	06-07
	AFM2-ACM analog output 2 (Select voltage or current output by jumper J2)	1. Output voltage specification: 0~+10Vdc 2. Output current specification: 0~20mA	06-08
TB6	MA-MB-MC Relay contact output	1. Normally open MA-MC, normally closed MB-MC 2. Contact: 125VAC, 0.5A DC30V, 2A	06-02

NOTE: AFM output 4~20mA : 06-10=06-12=20.0(%), 06-11=06-13=0.80



Quanzhou Factory  
Address: 3# Zixin Road, Jiangnan Hi-Tech Industrial Park,  
Quanzhou, Fujian, China  
Tel: +86 595 24678267 Fax: +86 595 24678203  
Service Network  
Website: www.savch.net

Qualification  
Received ISO9001 and CE recognition  
All rights reserved. Subject to change without further notice.