

# 转速/线速表

## TACHOMETER/LINE SPEED METER

RU-40

RLU-40

### 1 产品规格 Specification

| 型号 Item No.                         | 转速表 Tachometer<br>RU-40                                       | 线速表 Line Speed Meter<br>RLU-40 |
|-------------------------------------|---|--------------------------------|
| 显示范围 Display Range                  | 0.1~9999  |                                |
| 字型尺寸 Character Height               | LED 0.49"   |                                |
| 输入信号 Input signal                   | NPN, open collector   |                                |
| 取样时间 Sampling Time                  | 1.4 秒转换一次 1.4 seconds   |                                |
| 响应频率 Frequency Response             | 1KHz  |                                |
| 电源电压 Power Supply                   | AC 110V/220V±15% 50Hz/60Hz                                    |                                |
| 信号电源 Sensor Power                   | 12VDC±5%,100mA  |                                |
| 消耗功率 Power Consumption              | 8W  |                                |
| 耐温湿度 Operating Temperature Humidity | -10℃~+50℃ 45%~85% RH  |                                |
| 尺寸规格 External Dimensions            | 96mm×48mm×110mm<br>(开孔尺寸 Mounting flush dimension: 92mm×45mm) |                                |

### 2 使用前须知 Cautions Before Use:

| 分周比<br>PPR | 归零时间 (秒)<br>return-to-zero-time(s) | 最低转速<br>Min RPM |
|------------|------------------------------------|-----------------|
| 1/60       | 2                                  | 0.5             |
| 1/30       | 3                                  | 0.6             |
| 1/10       | 4                                  | 1.5             |
| 1/1        | 5                                  | 10              |

### 3 RLU-40

1. SW1-1 ON (往上调) 为线速度功能, 此时 SW2 为设定转轴直径: SW2-1×10<sup>2</sup>, SW2-2×10<sup>1</sup>, SW2-3×10<sup>0</sup>, 转轴直径设定范围: 0~999mm。

When SW1-1 is "ON", the meter will be "Line Speed Meter".

And the diameter setting is directly set by SW2. Ex: SW2-1×10<sup>2</sup>, SW2-2×10<sup>1</sup>, SW2-3×10<sup>0</sup>, the diameter setting range: 0~999mm.

2. 当 SW1-1 ON, SW1-2 为设定速度单位。When SW1-1 is ON, SW1-2 may be used to set the rate unit.  
SW1-1 ON :Y/min  
OFF:M/min

3. 当 SW1-1 (往下调) 为 rpm 功能, 此时 SW2 成为设定分周比 (每转输入信号): SW2-1×10<sup>1</sup>, SW2-2×10<sup>0</sup>, SW2-3×10<sup>-1</sup>, 范围 0.0~99.9。

When SW1-1 is "OFF", the meter will be "RPM". And the PPR (Pulses Per Revolution) is set directly by SW2-1×10<sup>1</sup>, SW2-2×10<sup>0</sup>, SW2-3×10<sup>-1</sup>, the setting range is 0.0~99.9.

4. SW1-3,4,5,6 为设定整数的分周比分别为 SW1-3→1/60, SW1-4→/30, SW1-5→1/10, SW1-6→1。

注意：分周比开关比只能选择一项，不同分周比将影响归零时间及可测之最低转速。

SW1-3,4,5,6 can set the function of fixed P.P.R. Ex: SW1-3→1/60, SW1-4→/30, SW1-5→1/10, SW1-6→1.

Note: You can select PPR or Switch ratio, different PPR will impact the return-to-zero-time and detected min RPM.

5. 假如 SW1-1 OFF 为 R.P.M 功能时，SW2 与整数分周比有相同效果，EX：整数分周比设为 1/10，SW2 为 10.0，结果分周比成为 1/100，但若 SW2 设为 0.0 则保持 1/10 不变。

When SW1-1 is "OFF", SW2 will have the same function as P.P.R.

EX as below:

| Fixed P.P.R | SW2  | P.P.R |
|-------------|------|-------|
| 1/10        | 10.0 | 1/100 |
| 1/10        | 0.0  | 1/10  |

## 4 RU-40

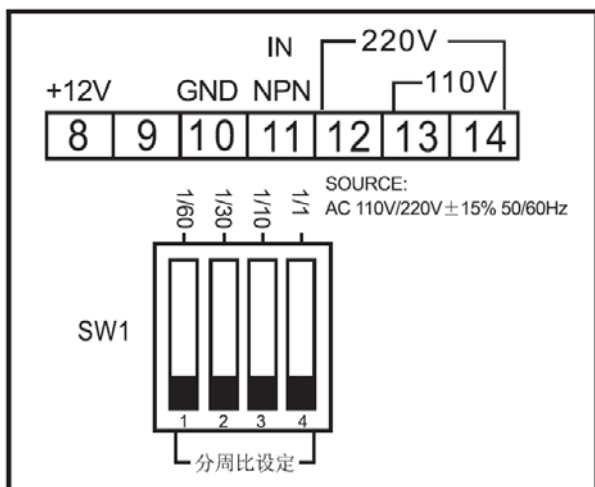
RU-40 属于经济型规格，但它只能作 rpm 功能使用。在 RLU-40 中 SW1-3, SW1-4, SW1-5, SW1-6 设定整数的分周比，在 RU-40 型则分别为 SW1-1, SW1-2, SW1-3, SW1-4 功能相同。

RU-40 is the economical meter, it just only has "R.P.M" function. In RLU-40, SW1-3, SW1-4, SW1-5, SW1-6 can be used to set the P.P.R. However, in RU-40, the function is determined by SW1-3, SW1-4, SW1-5, SW1-6.

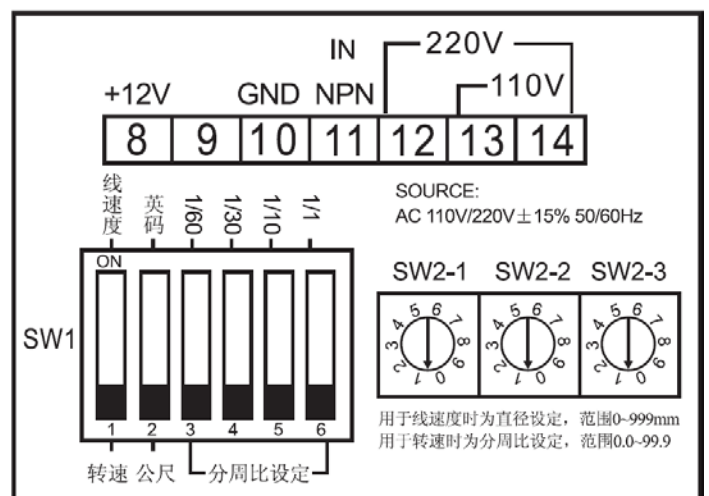
在低转速（10 转以下）使用每一转单一信号，由于取得信号时间太长（超过 6 秒以上）时，表头会判断为静止状态。建议于低转速使用时，增加每一转的感应数（如加装齿盘），再配合分周比。即可克服问题，又可提高反应速度。

At the low rate (less 10 R.P.M.), if adapt one signal per revolution, then the sampling time will be too long (Over 6 seconds) that the meter may judge the operation holding still and reset to zero. Thus, try to increase the sensing time (eg. use the disk) and then match P.P.R. If operating at low rate. After that, all of the problems can be overcome and also raise the response speed.

## 5 端子说明 Terminal Explanation

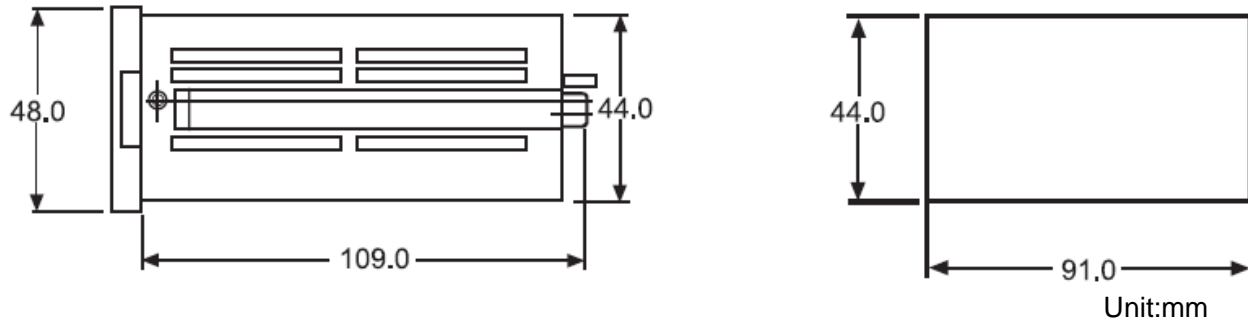


RU-40



RLU-40

## 6 尺寸图 Dimension Diagram



## 7 外观图 Appearance



RU(RLU)-40