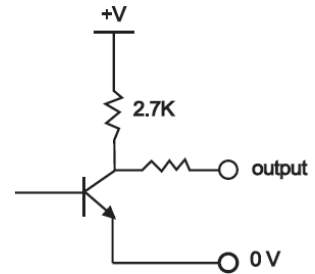


PL型长度发信器

PL TYPE LENGTH SENSOR CONVERSION BRACKET (Measuring Wheel)



- ※ 应用于布匹、纸匹、塑胶布等长度测量。
This device is used for measuring the length of the cloth, paper, plastics etc.
- ※ 光电式输出寿命长, 信号稳定。
It is long life and stable because of its photoelectric output.
- ※ 镍锌合金, 重量足, 不打滑。
It is made of Nicke1-Zinc alloy, it is weightily and does not hydroplane.
- ※ 轮子橡胶采用进口轮胎胶制作, 耐磨性高。
The wheel latex adopts the import tire latex, so it is durable.



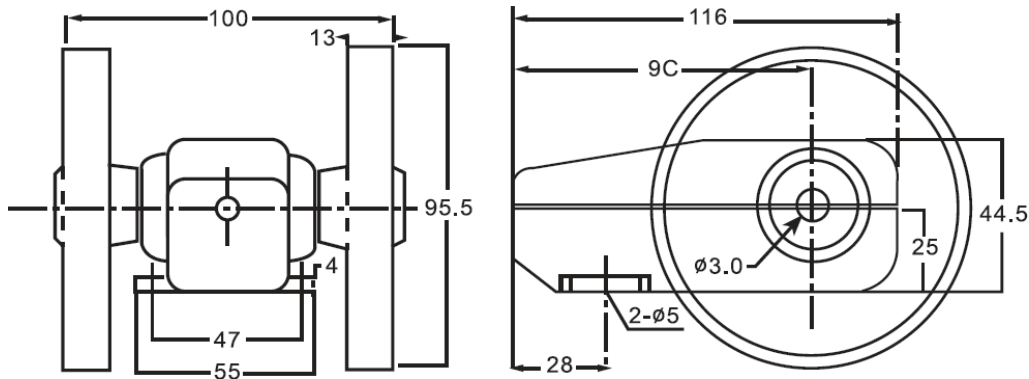
1 型号规格 Specification

注: 1Y=1 码, 输出方式为 NPN 电压出力(1Y=1Yard, and it is NPN output)

型号 Item NO	发信单位 Unit	输出方式 Output Type	输出阻抗 Output Impedance	消耗电流 Current Consumption	输出电流 Output Current	工作电源 Power Supply
PL-S1M(Y)	1m(1Y)	单相 single-phase	2.7K	25mA	150mA	12-24V
PL-S2M(Y)	10cm(0.1Y)	单相 single-phase	2.7K	35mA	100mA	12-24V
PL-S3M(Y)	1cm(0.01Y)	单相 single-phase	2.7K	35mA	100mA	12-24V
PL-S4M	1m	单相 single-phase	2.7K	35mA	100mA	12-24V
PL-D2M(Y)	10cm(0.1Y)	AB 相 90°AB phase Quadrature	2.7K	70mA	100mA	12-24V
PL-D3M(Y)	1cm(0.01Y)	AB 相 90°AB phase Quadrature	2.7K	70mA	100mA	12-24V

2 外尺寸图 External Dimension

Unit:mm



- ※ 英制转轮直径为 87.3mm(圆周等于 0.3 英码)
The British system: The diameter of wheel is 87.3mm.(The circumference of a circle is equal to 0.3 yard.)
- ※ 公制转轮直径为 95.5mm(圆周等于 0.3 公尺)
The decimal system: The diameter of wheel is 95.5mm.(The circumference of a circle is equal to 0.3 meter.)

3 使用注意 Note:

3.1 固定位置并无限制,但转轮旋转方向需与待测物前进方向平行。

There is no restriction about its position, but the wheel direction must be parallel to the forward direction of the matter.

3.2 待测物接触面尽量避免有机溶剂、油、水或高温。

The surface of the matter should not contain organic solvent, oil, water or high temperature.

3.3 激烈震动之场所,除造成计数误差外,也易造成机构损坏。

It is easy to damage the organization and cause the counter error at the intense vibration.

3.4 伸缩性大的材料,注意接触面的压著力。

It should pay attention to the pressure of the contact surface about the flexible material.

3.5 由于原点不确定的关系,电源投入后,第一个输出信号长度误差介于 0% 与 50% 之间。

Because of the uncertainty of the origin, the error of the output signal is under the range between 0 to 50 percent as power turn on.

4 接脚 Terminals:

RED: 电源 12-24V

Power supply 12-24V

GREEN : 输出←PL-S 型无此输出

Output←PL-S type without the output

YELLOW: 输出 output

BLUE: 0V